

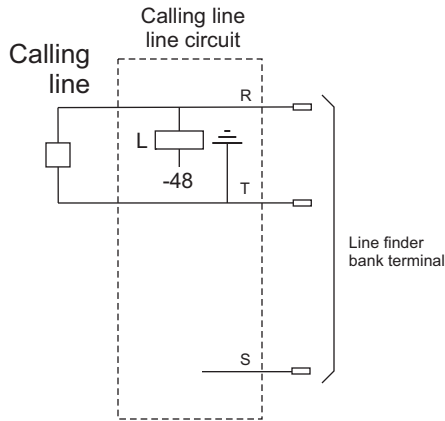
Step by step (SXS) switching system

Progression of connection through the switch train

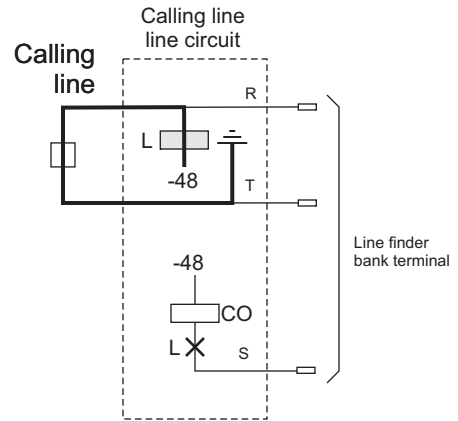
Douglas A. Kerr

Issue 8
2026-03-04

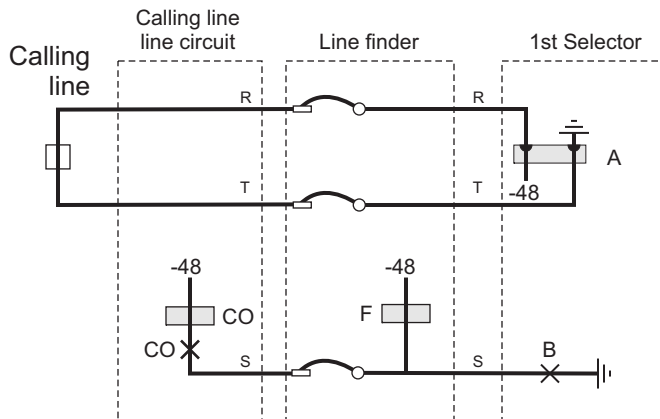
1. Calling line idle



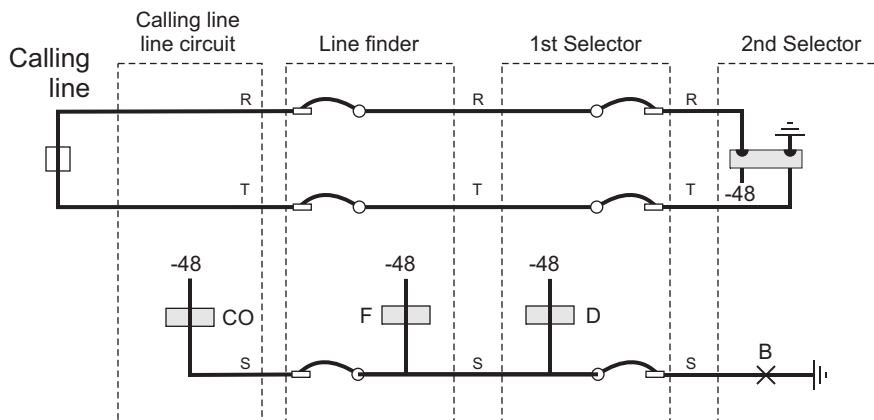
2. Calling line off-hook (line finder started)



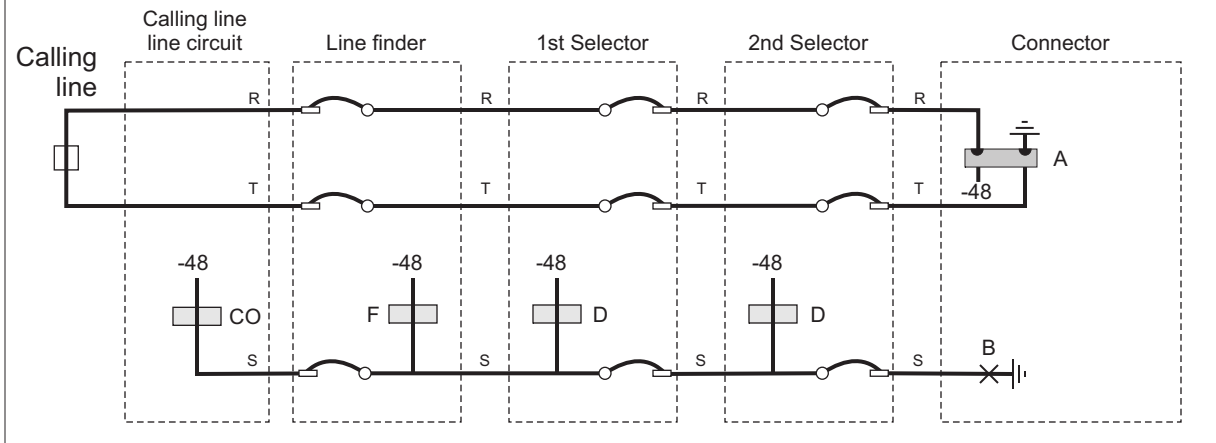
3. Line finder up, 1st selector seized



4. 2nd selector seized

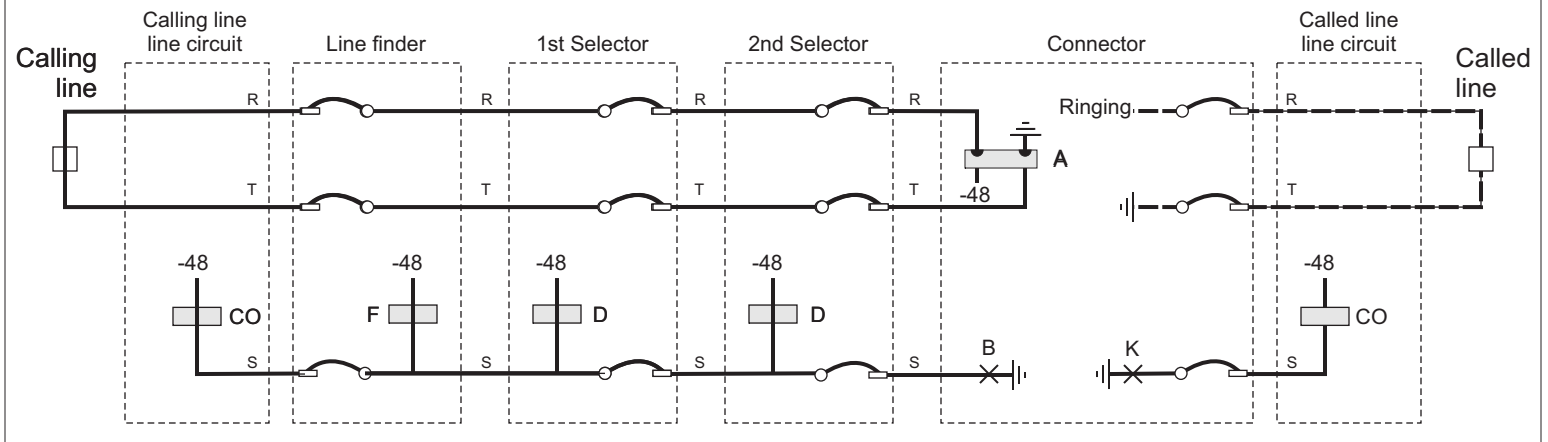


5. Connector seized



6. Connector up, called station rung

IN PROCESS



7. Connection complete

