

SHEET INDEX (INITIATED ON ISSUE 9)

Table with columns: FIG., CONTENTS, SHEET NO. PRIOR TO CURRENT ISS., SHEET NO. CURRENT ISS., and ISSUE NO. (9-58). Rows include SHEET INDEX, BATTERY VARIATIONS, INFORMATION NOTES, FINDER CIRCUIT, SUBGROUP RELAY, and various CAD notes.

SUPPORTING INFORMATION

Table with columns: CATEGORY, NO. Equipment drawings listed: J58831A, J58831C, J58831D, J58831T, J58831U, ED-65901-01, J58842A.

Vertical table listing drawing changes with columns: Dwg. No., CD, DATE, ISSUE, and initials.

SHEET INDEX NOTES

- 1 WHEN CHANGES ARE MADE IN THIS DRAWING, ONLY THOSE SHEETS AFFECTED WILL BE REISSUED.
2 THIS SHEET INDEX WILL BE REISSUED AND BROUGHT UP TO DATE EACH TIME ANY SHEET OF THE DRAWING IS REISSUED, OR A NEW SHEET IS ADDED.
3 THE ISSUE NUMBER ASSIGNED TO A CHANGED OR NEW SHEET WILL BE THE SAME ISSUE NUMBER AS THAT OF THE SHEET INDEX.
4 SHEETS THAT ARE NOT CHANGED WILL RETAIN THEIR EXISTING ISSUE NUMBER.
5 THE LAST ISSUE NUMBER OF THE SHEET INDEX IS RECOGNIZED AS THE LATEST ISSUE NUMBER OF THE DRAWING AS A WHOLE.

REPLACES SWITCH PART OF SD-66410-01, SD-66410-03 & SD-65794-01. SD-65901-01. FEX SYSTEMS. AT&TCO STANDARD. ABM ONLY. NO. 701A, 701B, 701PK, 702A, 711A, 711B OR 711PK. LINE OR TRUNK FINDER CIRCUIT. WITH ASSOCIATED COMMON GROUP AND SUBGROUP CIRCUIT FOR LINE FINDER APPLICATIONS ARRANGED FOR RESTRICTED SERVICE. (LF & GR CR TF). BELL TELEPHONE LABORATORIES INCORPORATED. SD-65901-01-0 17 SHEETS.

SD-65901-01-0

242A PLUG
344 JACK
197AK SWITCH
197AK SWITCH MODIFIED PER NOTE 107.
CIRCUIT NOTES:

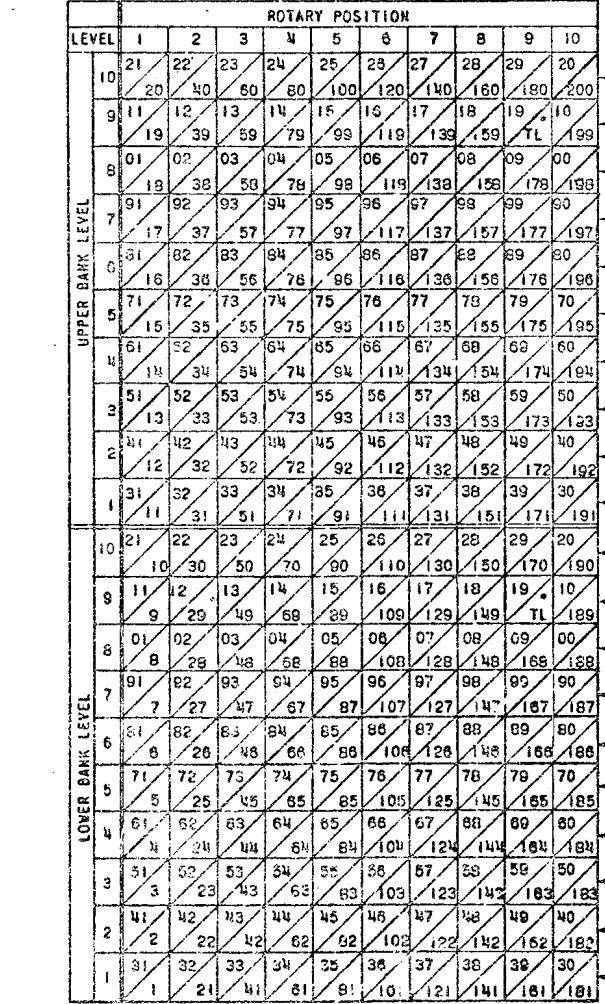
Table 101: DESIG, AMP, POTENTIAL FUSED, ONE PER. Rows A-E with details on fuse associations and subgroups.

Table 103: NETWORK VALUES. Columns: NETWORK NO., CODE, RESISTANCE IN OHMS, CAPACITANCE IN UF. Row 1: 178A, 150, 1-1.

Table 102: FEATURE OR OPTION, PROVIDE. Columns: FIG., APP OR WIR, QUANTITY. Rows include FINDER CKT, SUBGROUP RELAY CKT, TEST LINE JACK CIRCUIT, etc.

Table 104: RECORD OF FIGURES, WIRING AND APPARATUS CHANGES. Columns: CHANGED OR ISS, IF JOB RECORDS DO NOT SPECIFY, THIS OPTION WAS FURN, SEE NOTE, USE IN CIRCUIT (STD, ASM, MD, PROV).

107 FOR V OPTION: PROVIDE NORMAL POST ASSEMBLY PER P252497, NORMAL POST CAM PER P298593, AND NORMAL POST SPRING ASSEMBLY PER P252932. ADJUST THE NORMAL POST SPRING TO CLOSE ON ANY LEVEL OR LEVELS CORRESPONDING TO SUBGROUPS OF STATION LINES IN WHICH ALL STATIONS ARE DENIED ACCESS TO ONE OR MORE LEVELS OF THE FIRST SELECTOR.



108. S OPTION IS FOR USE ONLY WHEN ADDING FIGURE 1 TO A 701A OR 711A PBX WHICH USES LINE FINDERS WIRED PER SD-66410-01 AND MODIFIED PER W OPTION AND NOTE 113 OF THAT CIRCUIT.

109. THE G LEAD FOR EACH OF THE TEN SUBGROUP RELAYS, G1 TO G10 INCLUSIVE, PER SD-65971-01, FIG. 2, IS MULTIPLIED TO ALL TRUNKS APPEARING ON THE LEVEL CORRESPONDING TO THE DESIGNATION OF THE SUBGROUP RELAY. THE RECOMMENDED ASSIGNMENT OF TRUNKS AS THEY SHOULD APPEAR ON THE BANKS OF THE FIRST TRUNK FINDER POSITION IS INDICATED BELOW. THE TRUNK NUMBER IS INDICATED IN THE LOWER RIGHT HAND TRIANGLE AND THE TERMINAL NUMBER ON THE TERMINAL STRIP IS SHOWN IN THE UPPER LEFT HAND TRIANGLE.

FIGURES AND OPTIONS ON THIS DWG. Table with columns: CKT FIG., APP OR WIRING. Rows 1-12.

DWG ISSUE, CD ISSUE, DATE ISSUED. Table with columns: DWG ISSUE, CD ISSUE, DATE ISSUED, DRAWN, APP'D.

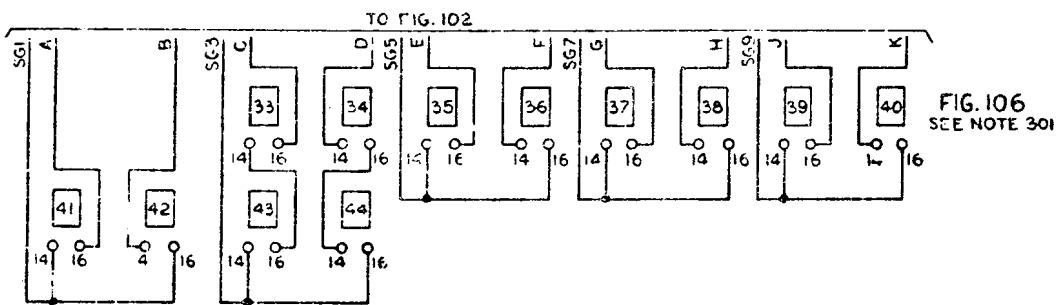
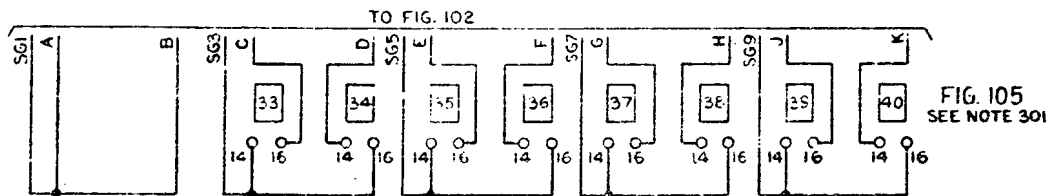
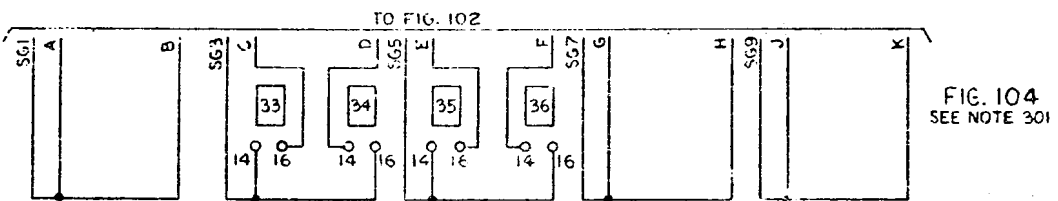
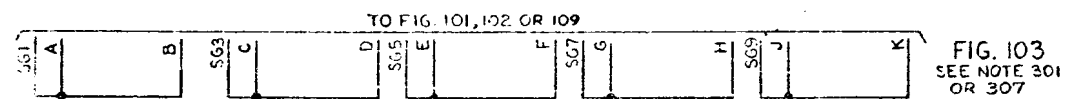
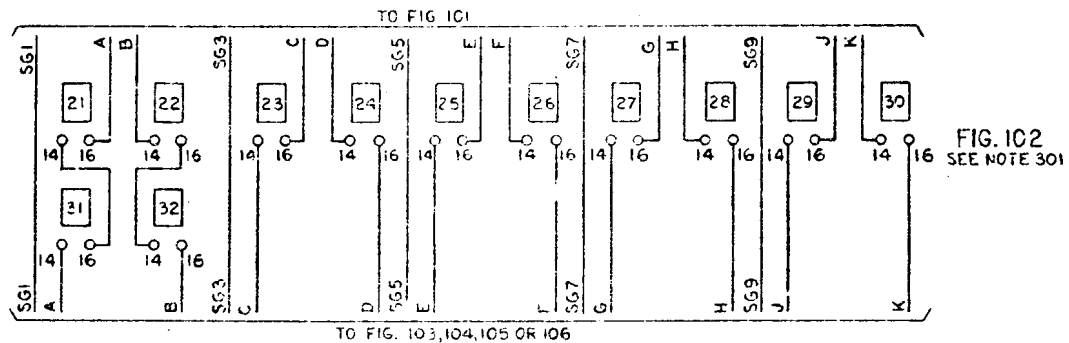
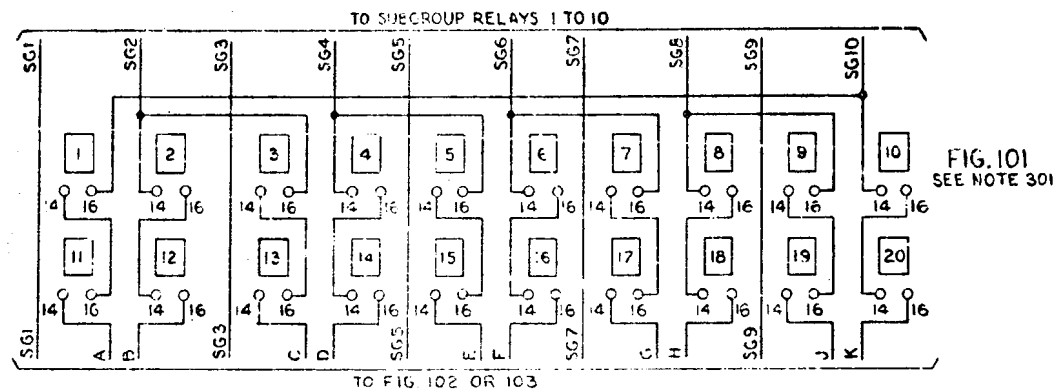
WORKING LIMITS FOR BANK TERM. TO HOLDING GRD. Table with columns: WORKING LIMITS, FOR BANK TERM. TO HOLDING GRD.

WORKING LIMITS FOR BANK TERM. TO HOLDING GRD. MAX EXT SLEEVE COND RES 25. MAX BUSY SLEEVE POT. 4.0V.

TST 552A ON OFF

LINE OR TRUNK FINDER CIRCUIT SD-65901-01-1 BELL TELEPHONE LABORATORIES INCORPORATED

SD-65901-01-1



INFORMATION NOTES:
301. WHEN THE 20 POSITION SWITCH FRAME UNIT IS USED FOR THE INITIAL LINE FINDER UNIT THE CONNECTIONS OF THE START LEAD (SI, SO, AND SG LEADS OF FIG. 1) FOR VARIOUS COMBINATIONS OF INITIAL AND SUPPLEMENTARY UNITS ARE SHOWN IN THE FOLLOWING TABLE AND ASSOCIATED FIGS. 101-106.

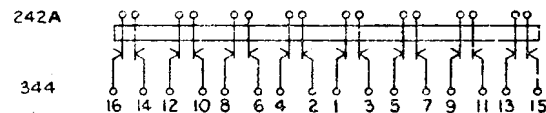
GROUP CAPACITY	ARRANGEMENT OF START LEADS - PROVIDE	ORDER OF EQUIPPING FINDER SPOLVES
20 FINDERS	FIGS. 101 & 103	1, 2, 3, 4, 15, 6, 17, 9, 10, 11, 16, 14, 9, 12, 7, 3, 18, 5, 20
32 FINDERS	FIGS. 101, 102 & 103	1, 2, 3, 4, 5, 6, 7, 11, 12, 13, 14, 18, 19, 20, 25, 7, 27, 28, 29, 31, 6, 15, 22, 5, 14, 23, 10, 17, 24, 32, 31
36 FINDERS	FIGS. 101, 102 & 104	1, 2, 3, 4, 5, 6, 7, 11, 12, 13, 14, 18, 19, 20, 25, 7, 27, 28, 29, 31, 33, 34, 35, 4, 21, 15, 22, 9, 23, 10, 17, 24, 32, 31
40 FINDERS	FIGS. 101, 102 & 105	1, 2, 3, 4, 5, 6, 7, 11, 12, 13, 14, 18, 19, 20, 25, 26, 27, 28, 29, 30, 33, 34, 35, 36, 37, 38, 39, 40, 21, 8, 15, 22, 9, 10, 23, 10, 17, 24, 32, 31
44 FINDERS	FIGS. 101, 102 & 106	1, 2, 3, 4, 6, 8, 9, 10, 11, 12, 13, 15, 16, 17, 19, 20, 21, 22, 24, 25, 26, 27, 28, 30, 33, 34, 35, 36, 37, 38, 39, 41, 14, 29, 42, 7, 23, 18, 5, 40, 32, 44, 31, 43

302. THIS SWITCH CAN BE USED IN PLACE OF FINDER SWITCH PER ED-66410-01 OR ED-66304-01. FOR THE 701A, 711A OR 702A P.E.X. IT DIFFERS FROM THESE SWITCHES PRINCIPALLY IN HAVING THE (MCN & TSI) JACK AND THE (MB) KEY.

303. WHEN THIS FINDER IS INSTALLED ON SHELF UNITS EQUIPPED WITH TEST AND MAKE BUSY JACKS, IT MAY BE MADE BUSY EITHER BY OPERATING THE (MB) KEY OR BY INSERTING A PLUG IN THE TEST AND MAKE BUSY JACKS. IF THE FINDER IS TESTED FROM THE TEST AND MAKE BUSY JACK, THE (MB) KEY SHOULD BE UNOPERATED.

304. UNLESS OTHERWISE SPECIFIED: RESISTANCE VALUES ARE IN OHMS, CAPACITANCE VALUES ARE IN MICROFARADS

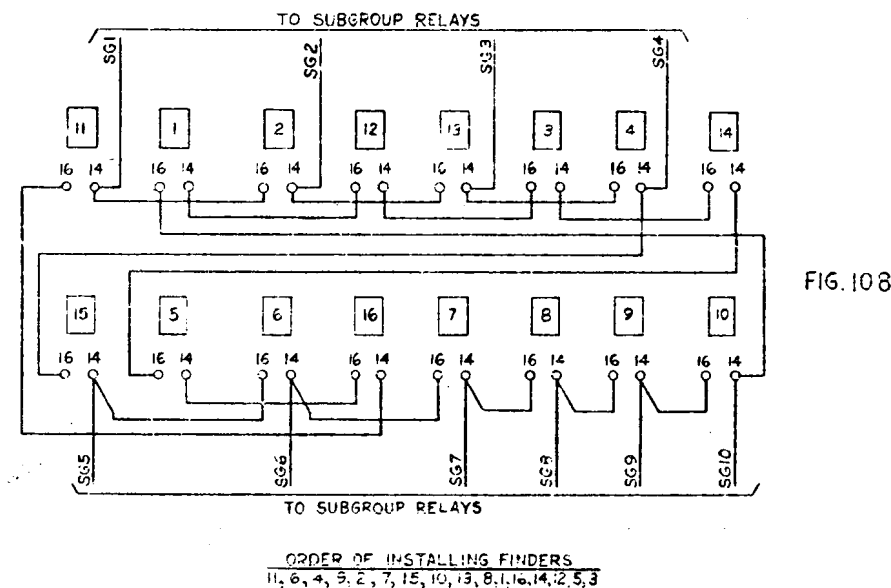
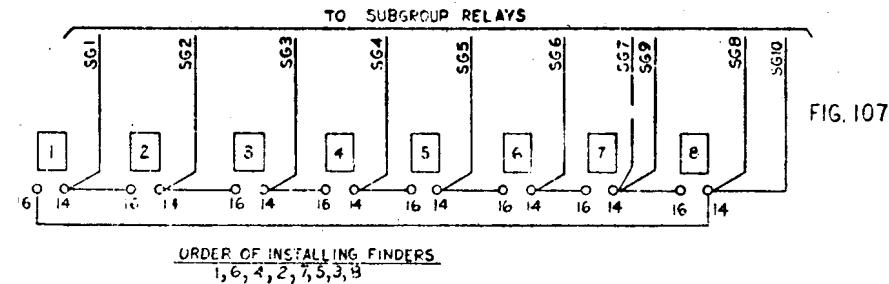
305.



CONNECTING JACK WITH PLUG NUMBERING AS SEEN FROM REAR OF JACK

306. WHEN ONE OR TWO 8 POSITION RELAY RACK UNITS ARE USED FOR AN INITIAL LINE OR TRUNK FINDER UNIT THE CONNECTIONS OF THE START WIRE (SI, SO, AND SG LEADS OF FIG. 1) ARE AS SHOWN IN FIGS. 107 OR 108.

307. WHEN A 14 OR 28 POSITION MODULAR SWITCH FRAME UNIT IS USED THE CONNECTORS OF THE START LEAD (SI, SO AND SG LEADS OF FIG. 1) ARE AS SHOWN IN FIGS. 103 AND 109 OR FIGS. 109 AND 110. THE FINDERS SHALL BE EQUIPPED IN THE FOLLOWING ORDER: ON A 14 POSITION SINGLE MODULE UNIT, FINDERS 1 TO 13 WILL BE EQUIPPED INITIALLY. ON A 28 POSITION DOUBLE MODULE UNIT, FINDERS 1 TO 10 AND 21 TO 23 WILL BE EQUIPPED ON THE 1ST MODULE AND FINDERS 11 TO 20 ON THE 2ND MODULE. ALL OTHER FINDERS SHALL BE EQUIPPED CONSECUTIVELY.



DRAWING ISSUE
1
20
30
48
50
60
70
80
98
110
120

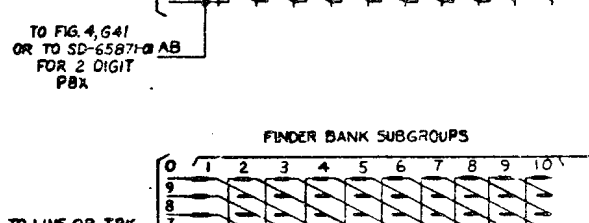
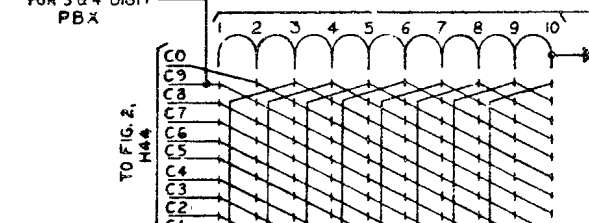
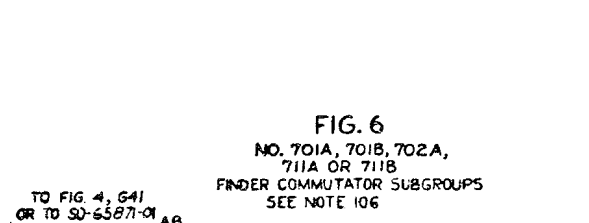
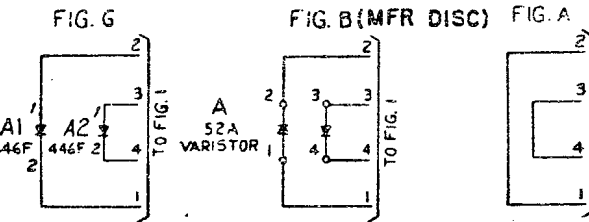
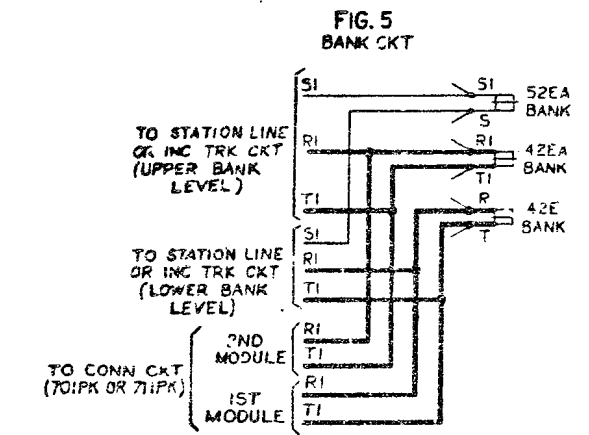
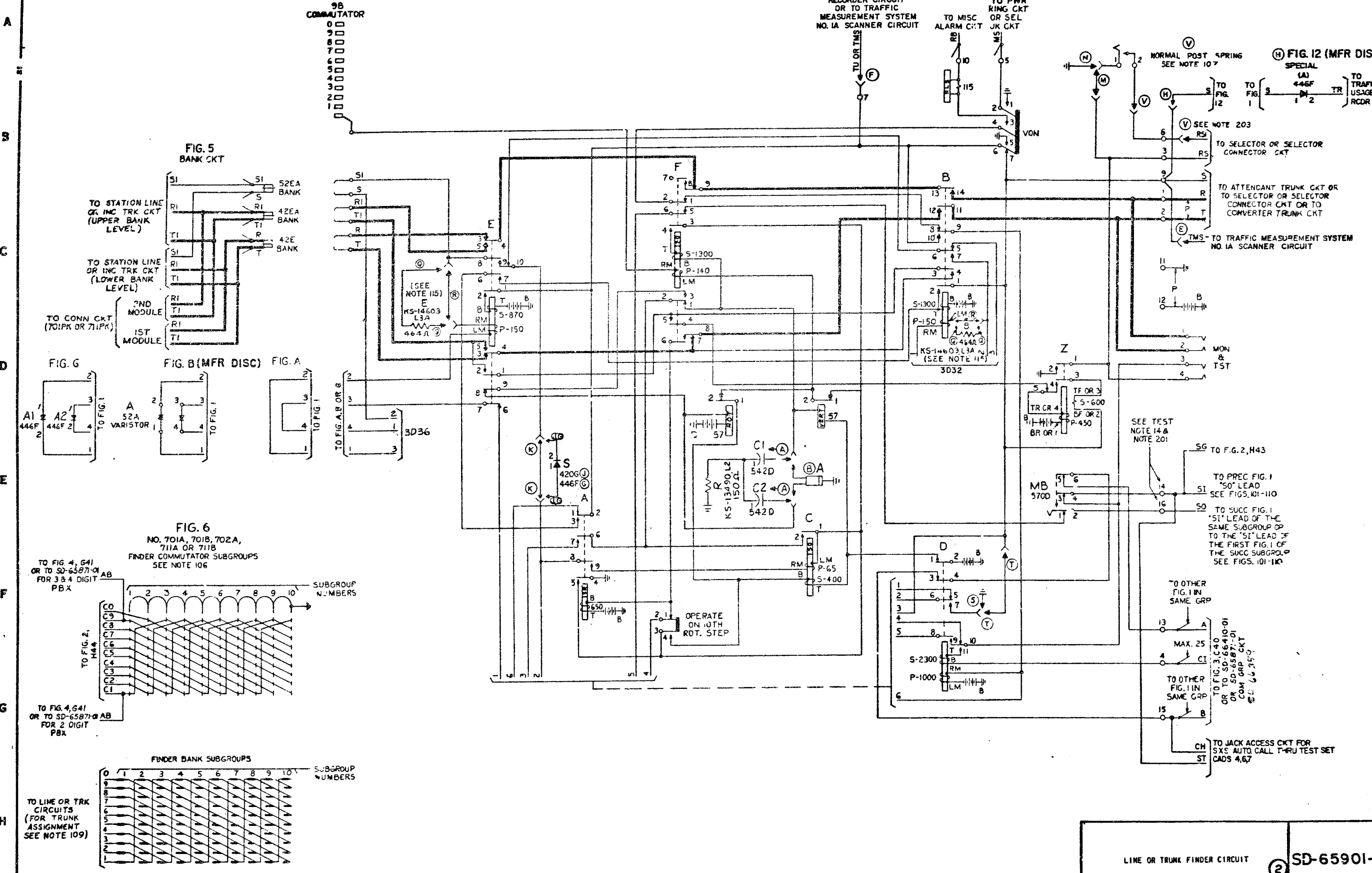
PBX SYSTEMS
NO. 701A, 701B, 701PK, 702A, 711A, 711B OR 711PK
LINE OR TRUNK FINDER CIRCUIT

BELL TELEPHONE LABORATORIES
INCORPORATED

SD-65901-01-2

65

FIG. 1
FINDER CIRCUIT



ISSUE 20D

LINE OR TRUNK FINDER CIRCUIT

SD-65901-01-3

BELL TELEPHONE LABORATORIES

INCORPORATED

65

SD-65901-01-3

DRAWING ISSUE	
1	REV
2D	ADP
3D	ADP
4B	ADP
5D	ADP
6D	ADP
7D	ADP
8D	ADP
9D	ADP
10D	ADP
11D	ADP
12D	ADP
13D	ADP
15D	ADP

FIG. 3
GROUP CKT

A
B
C
D
E
F
G
H

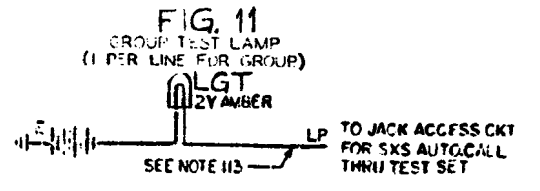
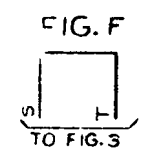
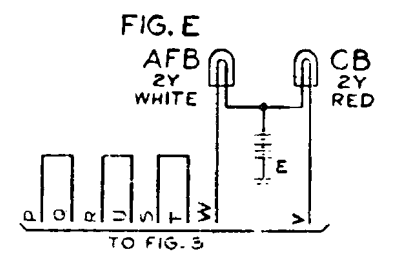
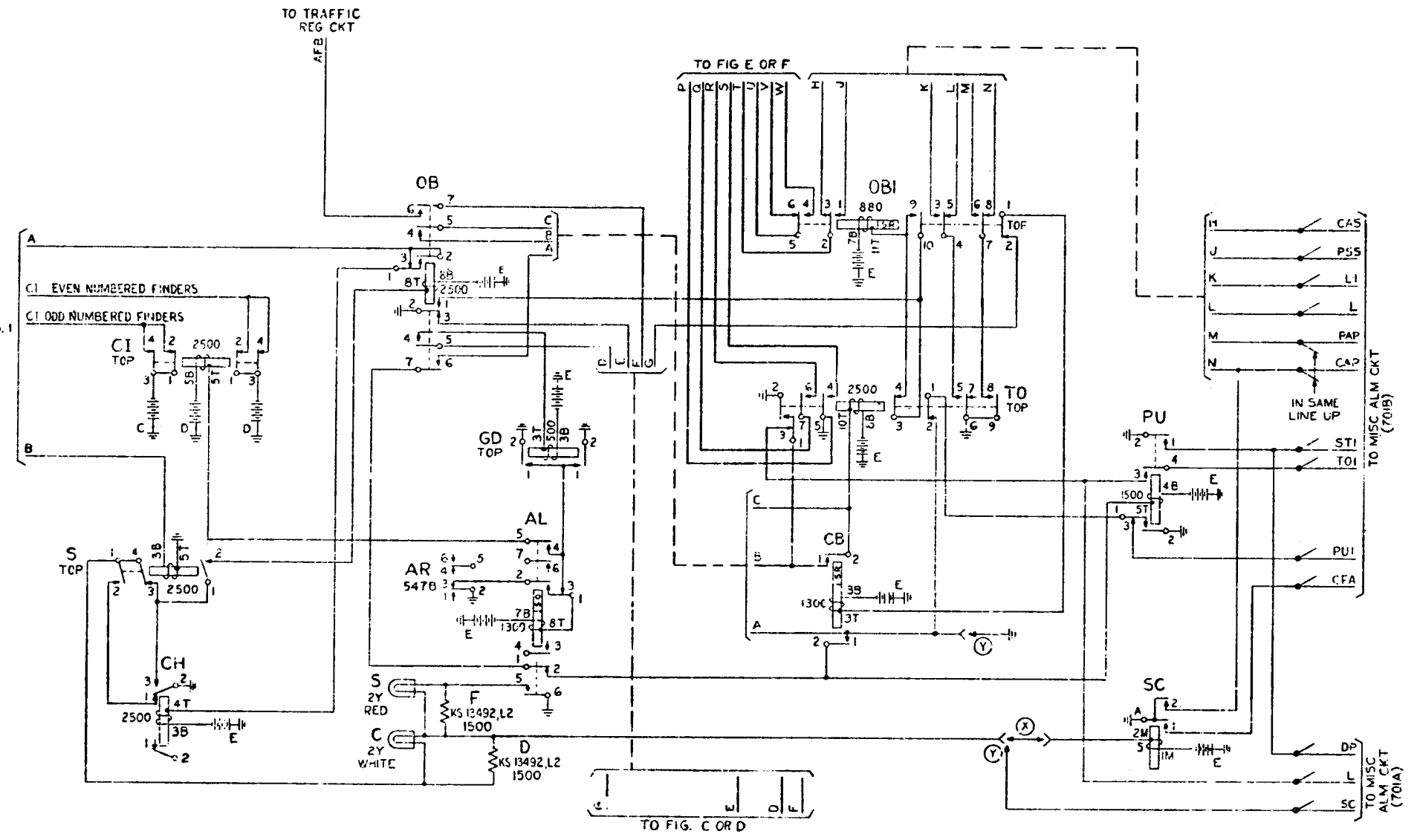
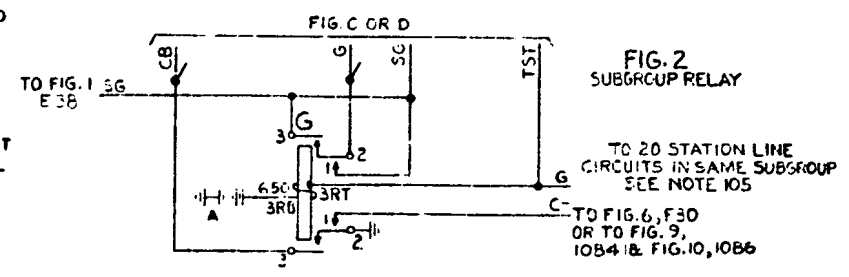
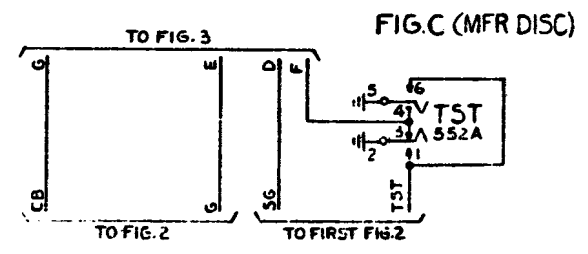
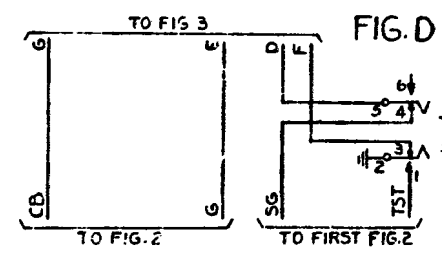
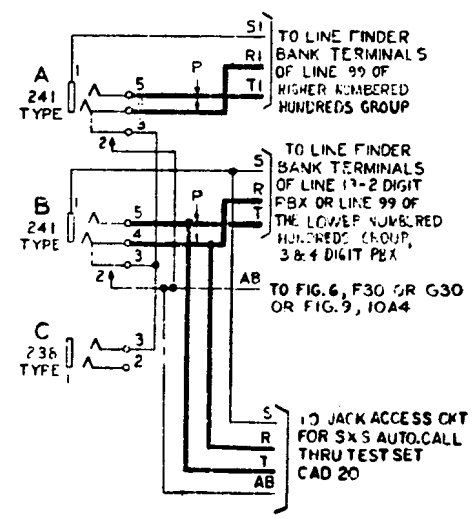


FIG. 4
TEST LINE JACKS



SD-65901-01-4

PBX SYSTEMS
NO. 701A, 701B, 701PK, 702A, 711A, 711B OR 711PK
LINE OR TRUNK FINDER CIRCUIT

BELL TELEPHONE LABORATORIES
INCORPORATED

SD-65901-01-4

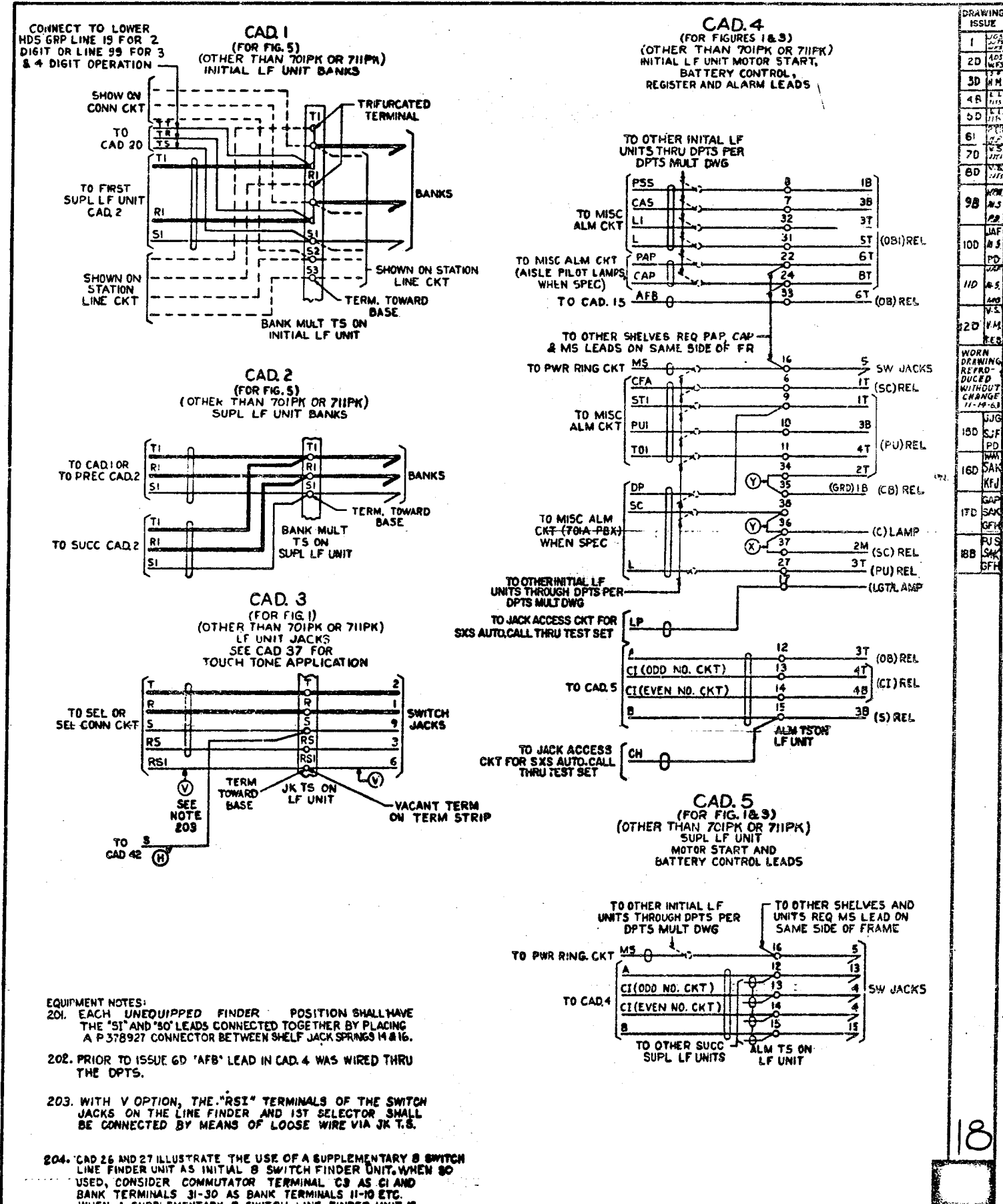
65

CIRCUIT REQUIREMENTS															DRAWING ISSUE	
701B OR 711B LINE OR TRUNK FINDER (LF & GRORTF)															1	
APPROXIMATE															2.D	
MECH REQ															3.D	
CIRCUIT PREPARATION															4.B	
DIRECT CURRENT FLOW REQ															5.D	
TEST CLIP DATA															6.D	
TEST NOTE															7.D	
TEST WDG															8.D	
TEST POS															9.D	
TEST BAL															10.D	
TEST BAL															11.D	
TEST BAL															12.D	
TEST BAL															13.D	
TEST BAL															14.D	
TEST BAL															15.D	
TEST BAL															16.D	
TEST BAL															17.D	
TEST BAL															18.D	
TEST BAL															19.D	
TEST BAL															20.D	
TEST BAL															21.D	
TEST BAL															22.D	
TEST BAL															23.D	
TEST BAL															24.D	
TEST BAL															25.D	
TEST BAL															26.D	
TEST BAL															27.D	
TEST BAL															28.D	
TEST BAL															29.D	
TEST BAL															30.D	
TEST BAL															31.D	
TEST BAL															32.D	
TEST BAL															33.D	
TEST BAL															34.D	
TEST BAL															35.D	
TEST BAL															36.D	
TEST BAL															37.D	
TEST BAL															38.D	
TEST BAL															39.D	
TEST BAL															40.D	
TEST BAL															41.D	
TEST BAL															42.D	
TEST BAL															43.D	
TEST BAL															44.D	
TEST BAL															45.D	
TEST BAL															46.D	
TEST BAL															47.D	
TEST BAL															48.D	
TEST BAL															49.D	
TEST BAL															50.D	
TEST BAL															51.D	
TEST BAL															52.D	
TEST BAL															53.D	
TEST BAL															54.D	
TEST BAL															55.D	
TEST BAL															56.D	
TEST BAL															57.D	
TEST BAL															58.D	
TEST BAL															59.D	
TEST BAL															60.D	
TEST BAL															61.D	
TEST BAL															62.D	
TEST BAL															63.D	
TEST BAL															64.D	
TEST BAL															65.D	
TEST BAL															66.D	
TEST BAL															67.D	
TEST BAL															68.D	
TEST BAL															69.D	
TEST BAL															70.D	
TEST BAL															71.D	
TEST BAL															72.D	
TEST BAL															73.D	
TEST BAL															74.D	
TEST BAL															75.D	
TEST BAL															76.D	
TEST BAL															77.D	
TEST BAL															78.D	
TEST BAL															79.D	
TEST BAL															80.D	
TEST BAL															81.D	
TEST BAL															82.D	
TEST BAL															83.D	
TEST BAL															84.D	
TEST BAL															85.D	
TEST BAL															86.D	
TEST BAL															87.D	
TEST BAL															88.D	
TEST BAL															89.D	
TEST BAL															90.D	
TEST BAL															91.D	
TEST BAL															92.D	
TEST BAL															93.D	
TEST BAL															94.D	
TEST BAL															95.D	
TEST BAL															96.D	
TEST BAL															97.D	
TEST BAL															98.D	
TEST BAL															99.D	
TEST BAL															100.D	

TEST NOTES:

- ONLY CONTACTS 1-2 & 3-4 NEED MAKE.
- THE COMMUTATOR BRUSH SHALL MAKE CONTACT WITH THE SELECTED TERM. BEFORE VERTICAL INTERRUPTER SPRINGS OPERATE.
- WITH THE ROTARY MAGNET ENERGIZED, THE FINDER BRUSHES SHALL MAKE CONTACT WITH THE SELECTED TERM. AND NOT BRIDGE WITH ADJ TERM.
- CONTACTS 1-2 & 3-4 SHALL MAKE BEFORE SPRING 3 STRIKES BUSHING ON SPRING 6.
- ARMATURE NEED NOT TOUCH CORE.
- REQUIREMENT FOR CONTACTS 1-2 & 3-4.
- CONT 1T-2T SHALL MAKE BEFORE SPG 1T STRIKES BUSH. ON SPG 4T. CONT 1B & 2B SHALL MAKE BEFORE SPG 1B STRIKES THE BUSH. ON SPG 4B.
- AS PERMITTED BY SEQUENCE ANY TWO BREAK CONTACTS MAY BREAK AND 1T & 2T AND 1B & 2B MAY MAKE.
- REQUIREMENTS FOR CONT 1T-2T & 1B-2B.
- CONT 3T-4T SHALL MAKE BEFORE SPG 3T STRIKES BUSH. ON SPG 4B AND BEFORE SPG 2B STRIKES BUSH. ON SPG 4B.
- CONT PRESS. SPG 4T-9T AND 7B-8B MIN 25 GRs. 1T-2T SHALL BREAK BEFORE 3T-4T MAKE, 3T-4T SHALL MAKE BEFORE 1B-2B BREAK.
- CONT 1T-2T MAY BREAK AND 3T-4T MAY MAKE.
- CONT 1T-2T & 1B-2B MAY BREAK AND 3T-4T MAY MAKE.
- JACK SPRINGS 14 & 16 TO MAKE CONTACT WHEN SWITCH IS REMOVED FROM FRAME.
- CONN GRD TO COMM BR.

LINE OR TRUNK FINDER CIRCUIT
SD-65901-01-5
BELL TELEPHONE LABORATORIES, INC



LINE OR TRUNK FINDER CIRCUIT
SD-65901-01-5
BELL TELEPHONE LABORATORIES, INC

SD-65901-01-5

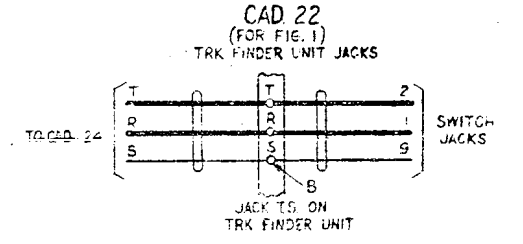
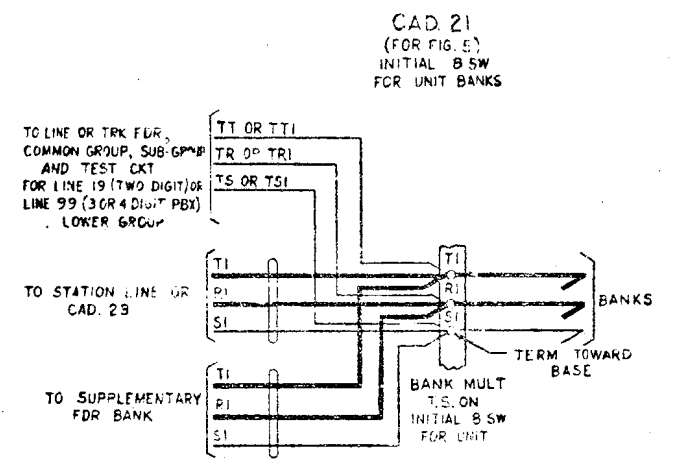
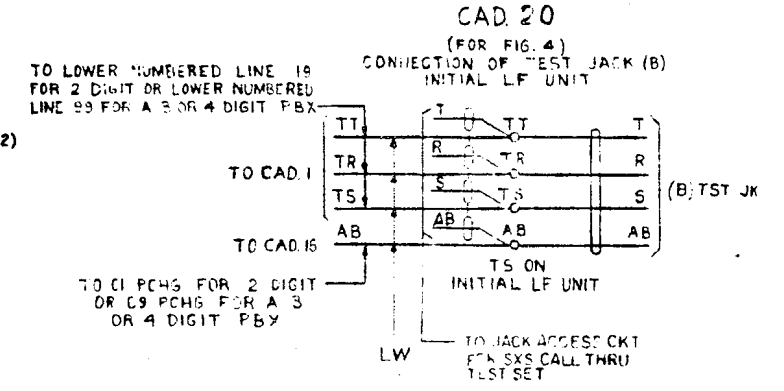
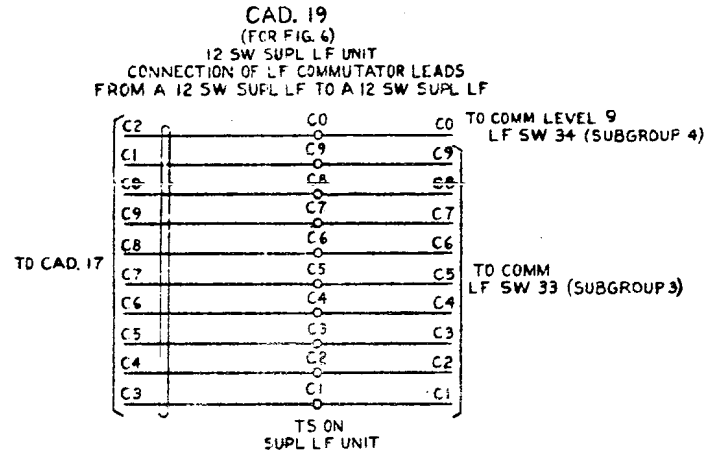
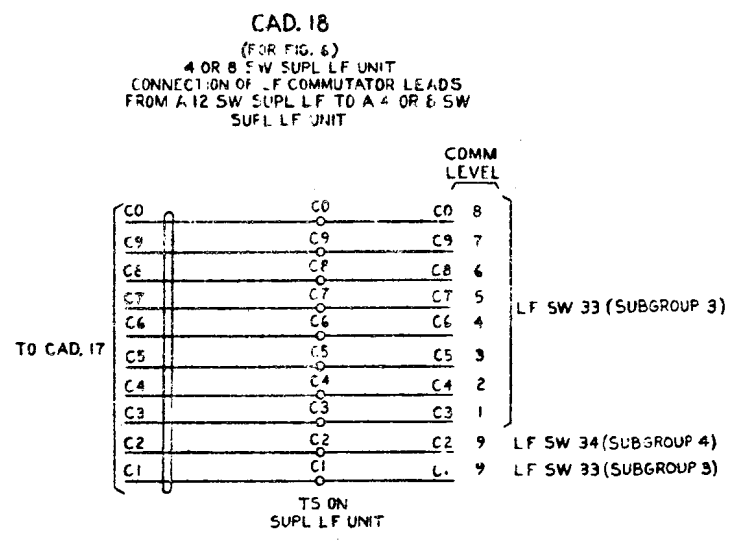
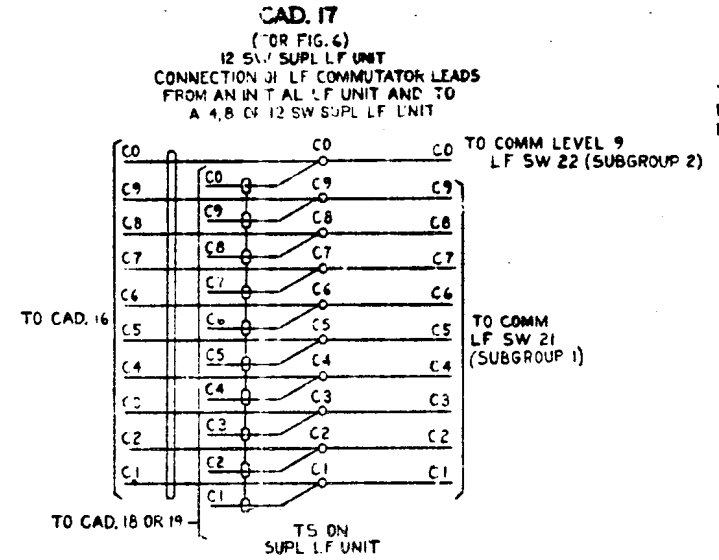
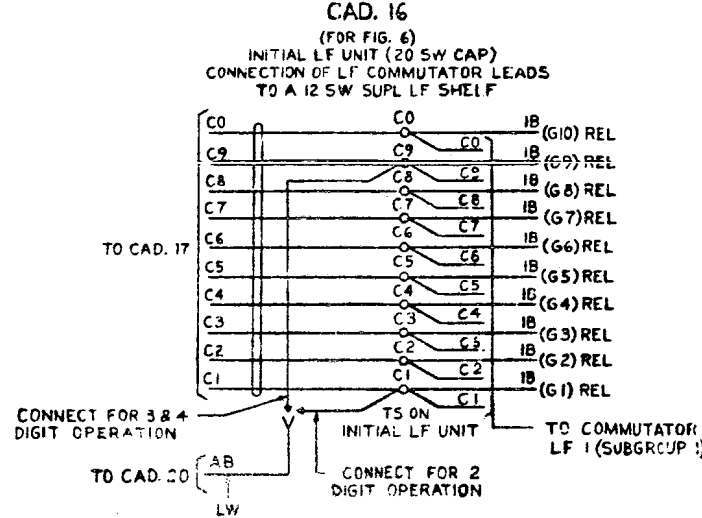
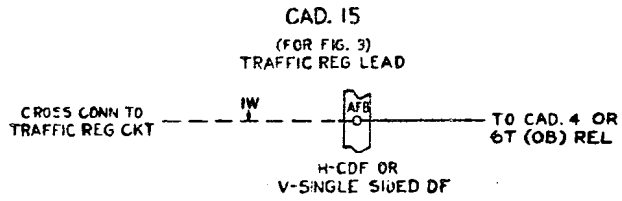
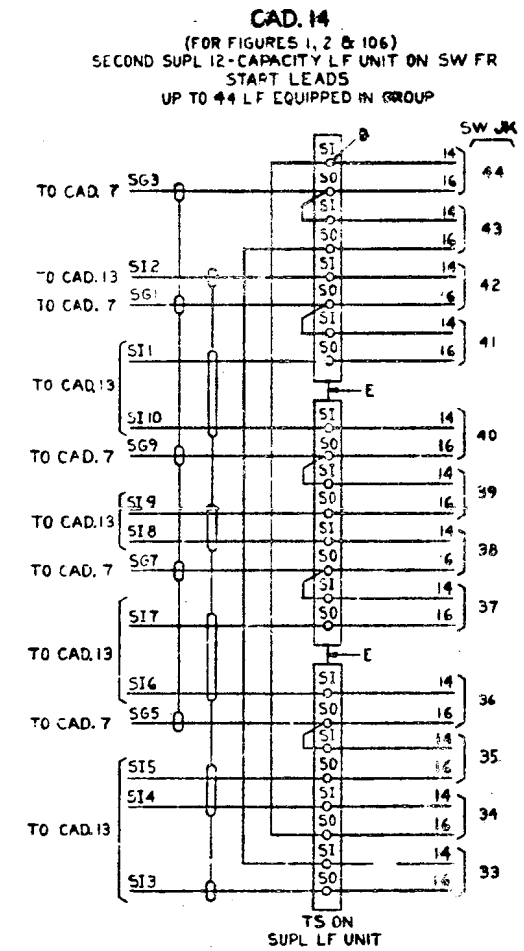
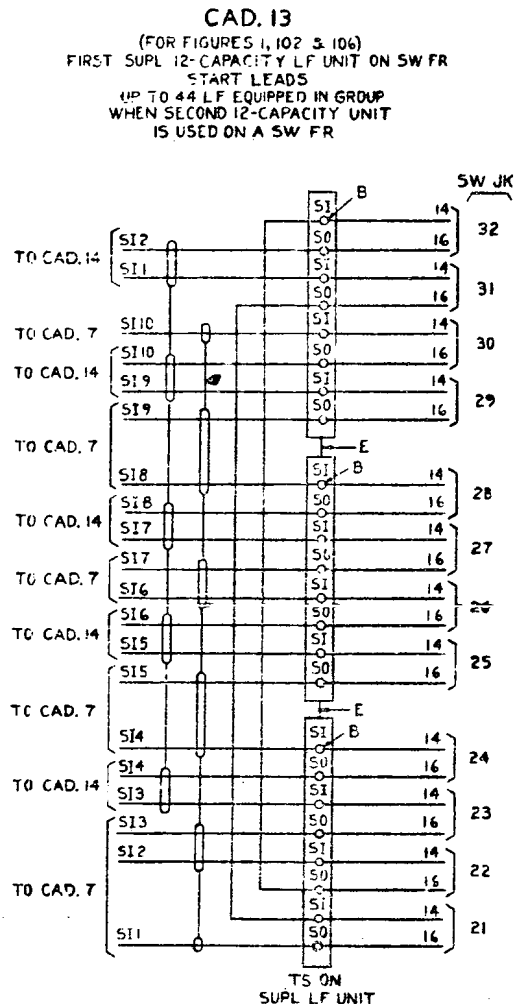
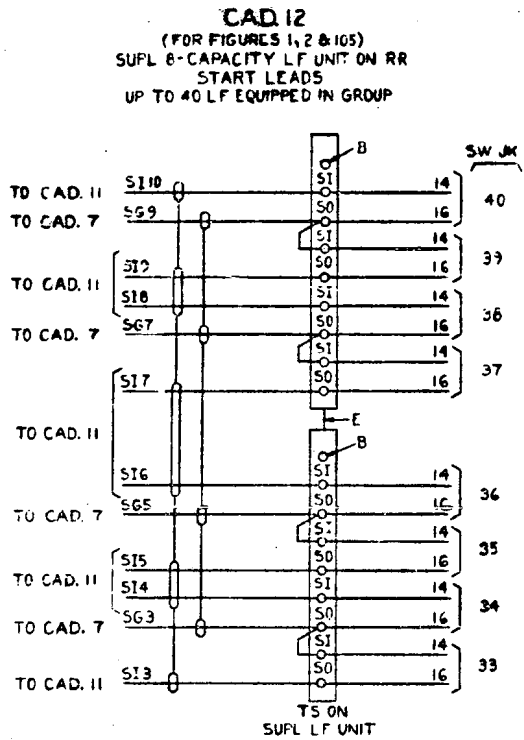
18

DRAWING ISSUE
1
2.D
3.D
4.B
5.D
6.D
7.D
8.D
9.D
10.D
11.D
12.D
13.D
14.D
15.D
16.D
17.D
18.D
19.D
20.D
21.D
22.D
23.D
24.D
25.D
26.D
27.D
28.D
29.D
30.D
31.D
32.D
33.D
34.D
35.D
36.D
37.D
38.D
39.D
40.D
41.D
42.D
43.D
44.D
45.D
46.D
47.D
48.D
49.D
50.D
51.D
52.D
53.D
54.D
55.D
56.D
57.D
58.D
59.D
60.D
61.D
62.D
63.D
64.D
65.D
66.D
67.D
68.D
69.D
70.D
71.D
72.D
73.D
74.D
75.D
76.D
77.D
78.D
79.D
80.D
81.D
82.D
83.D
84.D
85.D
86.D
87.D
88.D
89.D
90.D
91.D
92.D
93.D
94.D
95.D
96.D
97.D
98.D
99.D
100.D

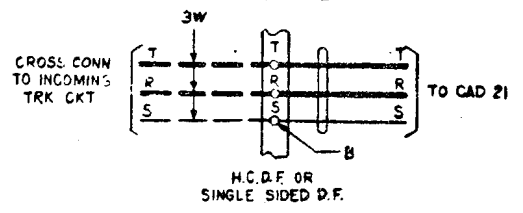
65

Sheet Missing

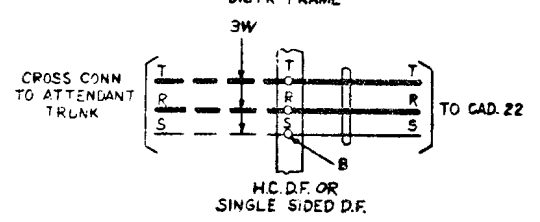
1	MS
2D	MS
3D	MS
4B	MS
5D	MS
6D	MS
7D	MS
8D	MS
9B	MS
11D	MS
12D	MS
16D	MS



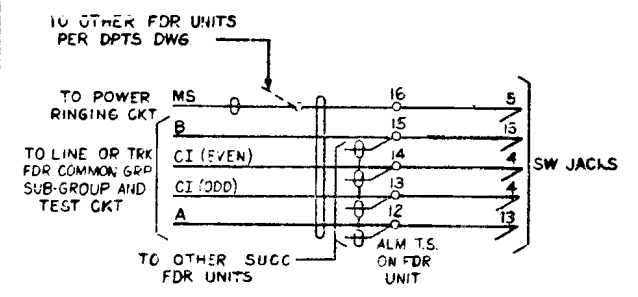
CAD. 23
(FOR FIG. 1)
TRK FINDER BANKS
VIA
DISTR FRAME



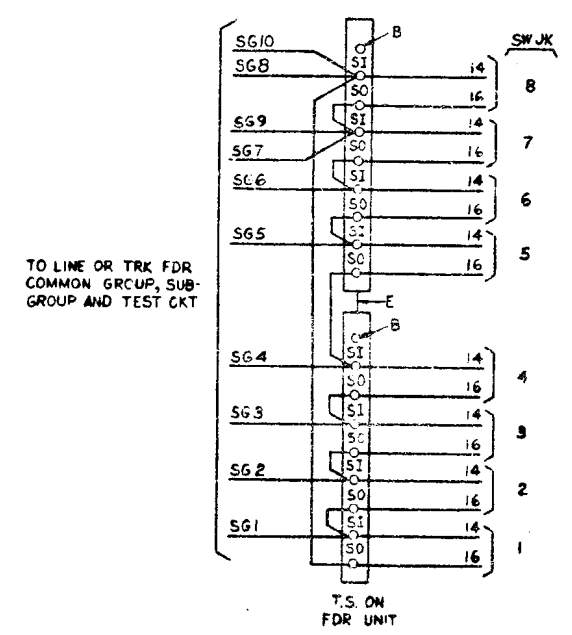
CAD. 24
(FOR FIG. 1)
TRK FINDER JKs
VIA
DISTR FRAME



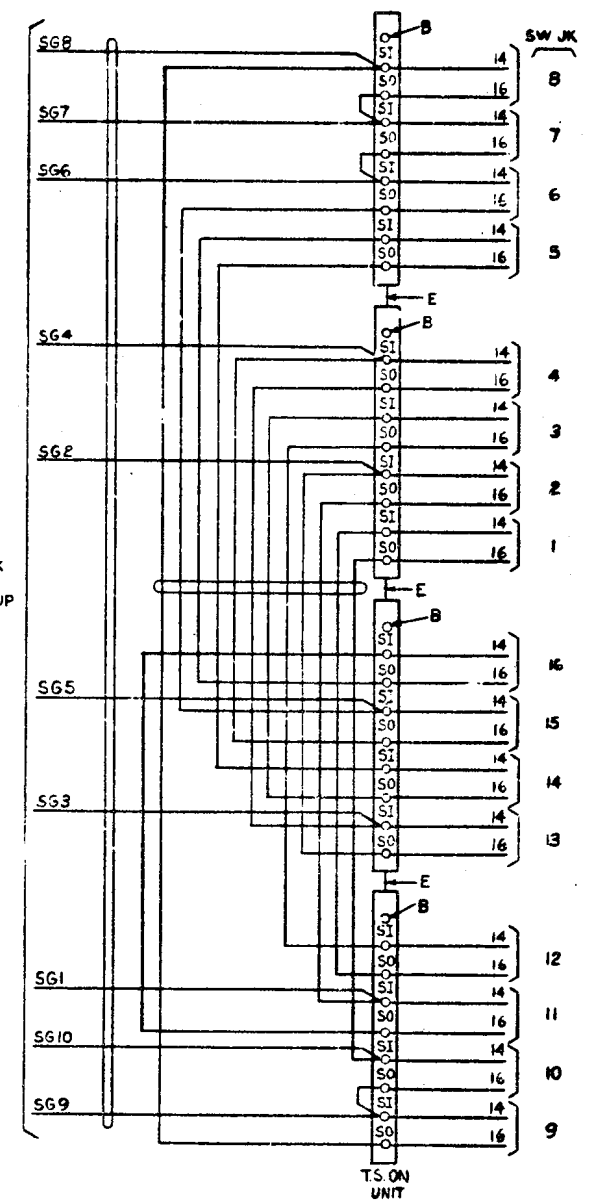
CAD. 25
(FOR FIG. 1)
B SW FDR UNIT MOTOR START AND
BATTERY CONTROL LEADS



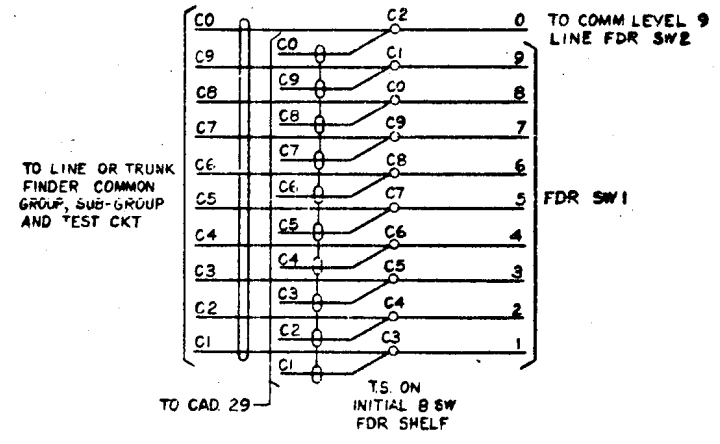
CAD. 26
(FOR FIG. 1)
B-CAPACITY FDR UNIT
START LEADS
SEE NOTES 201 & 204



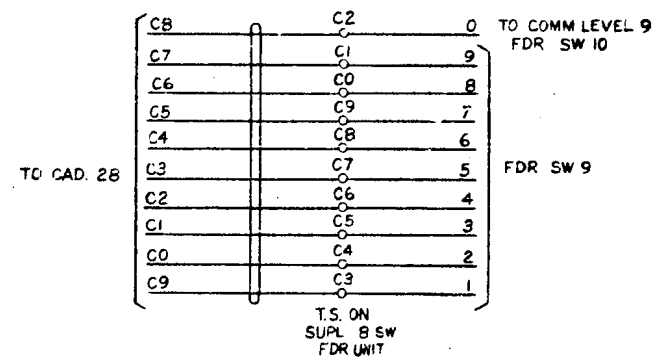
CAD. 27
(FOR FIG. 1)
2-B CAPACITY FINDER UNITS, UP TO 16 FINDERS
IN A GROUP START LEADS
SEE NOTES 201 & 204



CAD. 28
(FOR FIG. 6)
COMMUTATOR LEADS
INITIAL B SW FDR UNIT



CAD. 29
(FOR FIG. 6)
COMMUTATOR LEADS
SUPL B SW FDR UNIT



SD-65901-01-8

11D	JAP
12D	INC
	7-3
	MM
	TEL

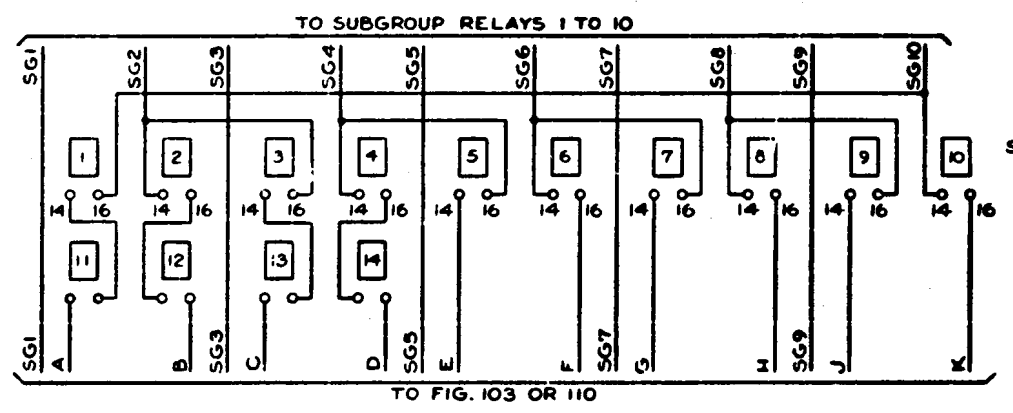


FIG. 109
SEE NOTE 307

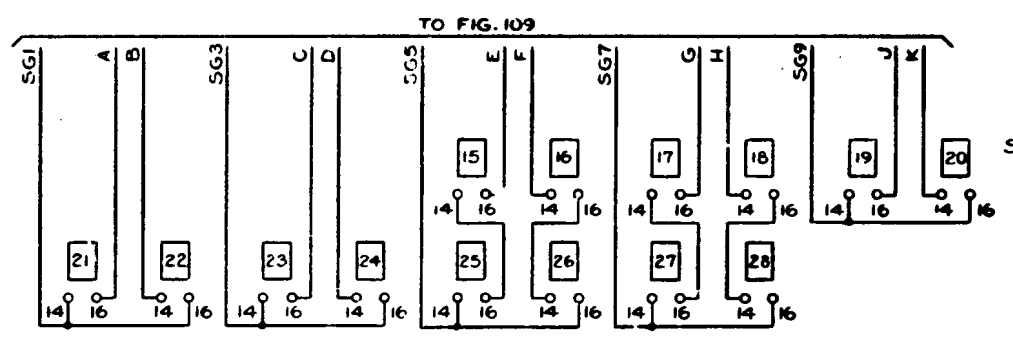


FIG. 110
SEE NOTE 307

6-10-10699-08

12

PAX SYSTEMS NO. 701A, 701B, 701PK, 702A, 711A, 711B OR 711PK LINE OR TRUNK FINDER CIRCUIT		SD-6590I-01-9
BELL TELEPHONE LABORATORIES <small>INCORPORATED</small>		6S

FIG. 7
 701PK OR 711PK PBX LINE
 FINDER BANK MULTIPLE
 (1ST MODULE)

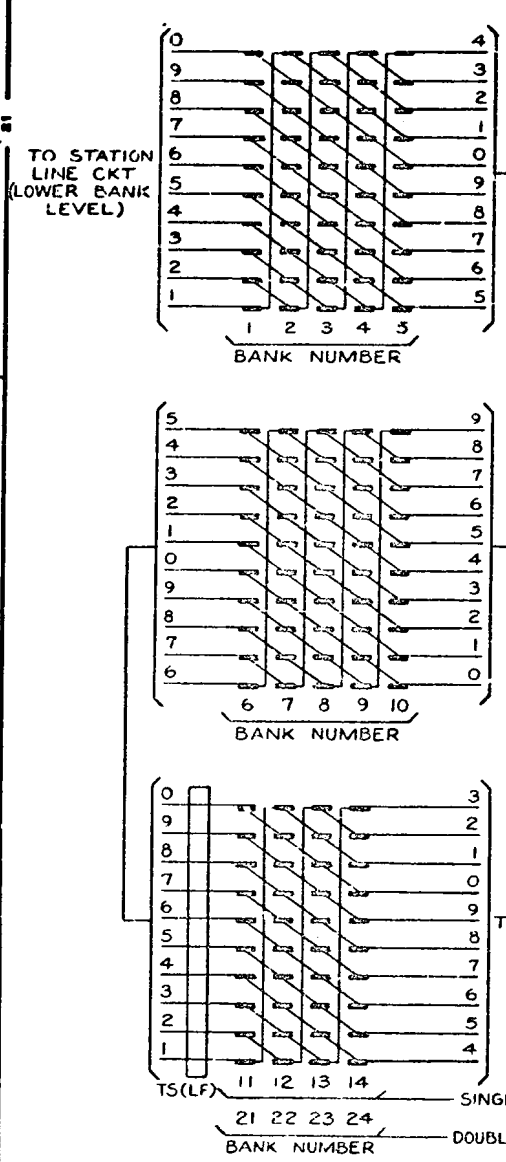


FIG. 8
 701PK OR 711PK PBX LINE
 FINDER BANK MULTIPLE
 (2ND MODULE)

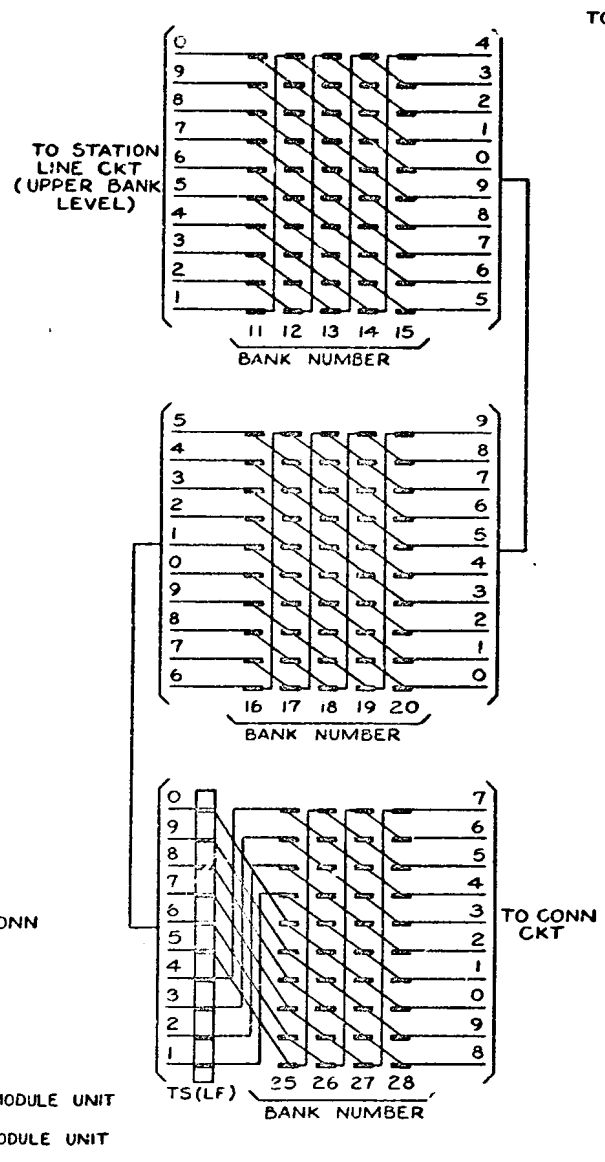


FIG. 9
 701PK OR 711PK PBX LINE
 FINDER COMMUTATOR MULTIPLE
 1ST MODULE

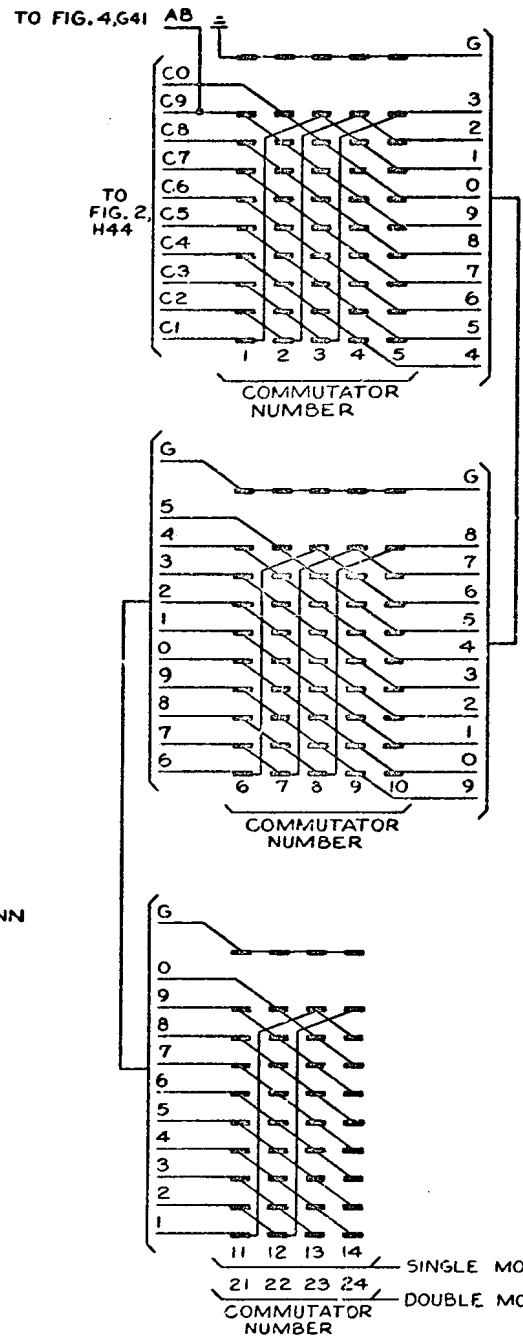
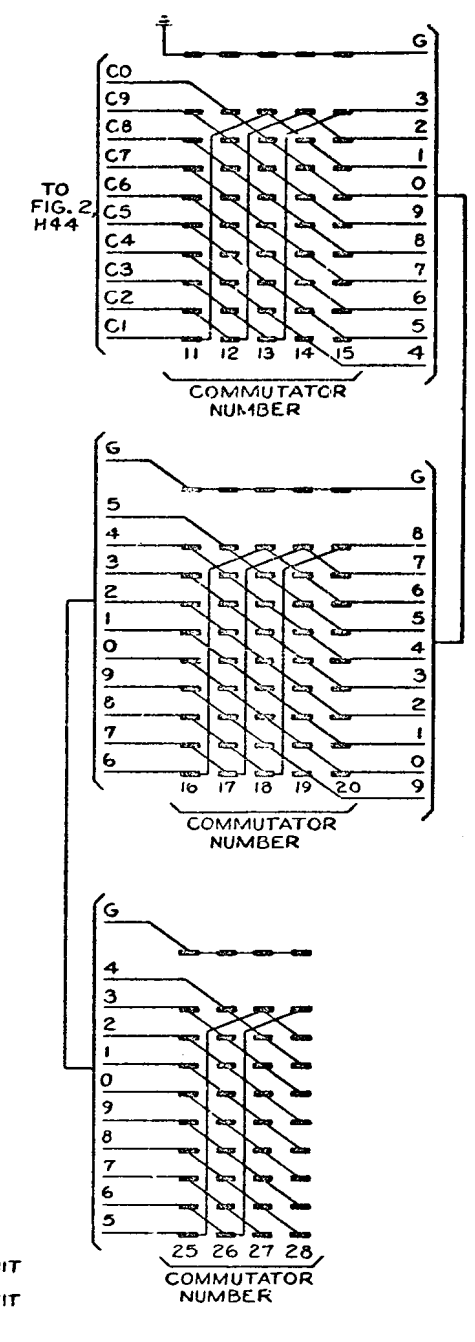


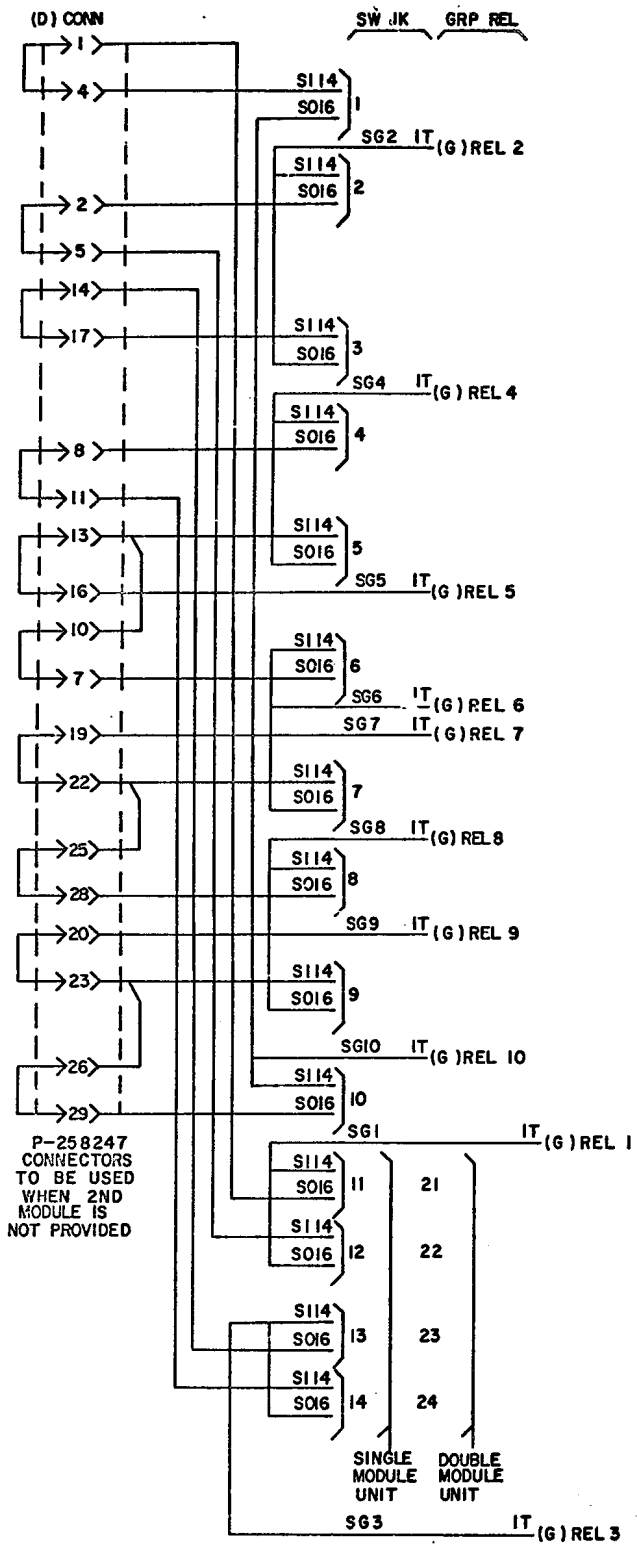
FIG. 10
 701PK OR 711PK PBX LINE
 FINDER COMMUTATOR MULTIPLE
 2ND MODULE



SD-65901-01-10

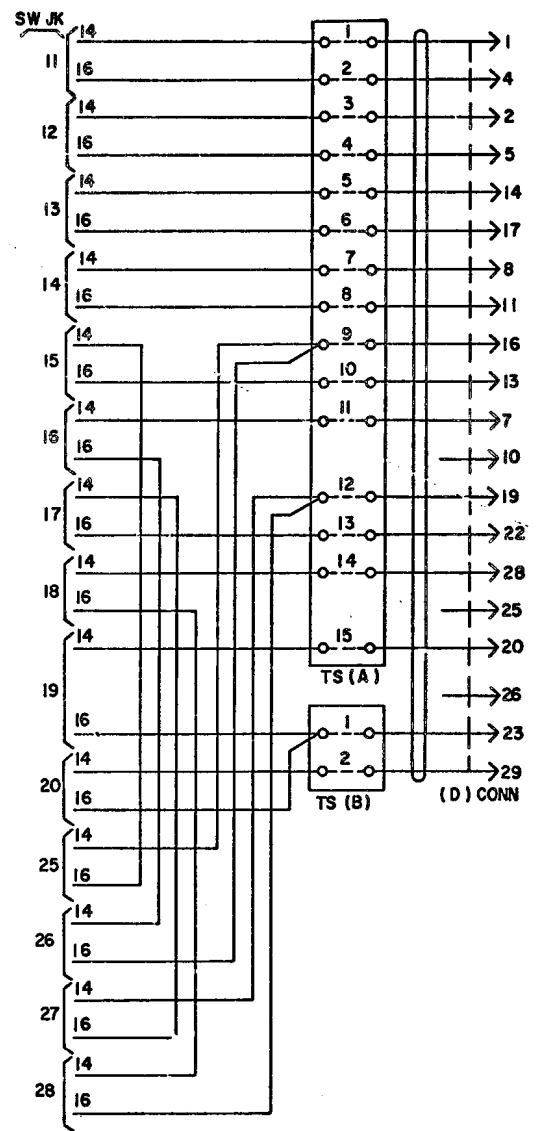
CAD 30

(FOR FIGS. 1, 2, 103, 109 & 110)
 MODULAR 701PK OR 711PK PBX UNIT
 1ST MODULE UP TO 28 FINDERS
 IN A GROUP START LEADS
 SEE NOTE 201



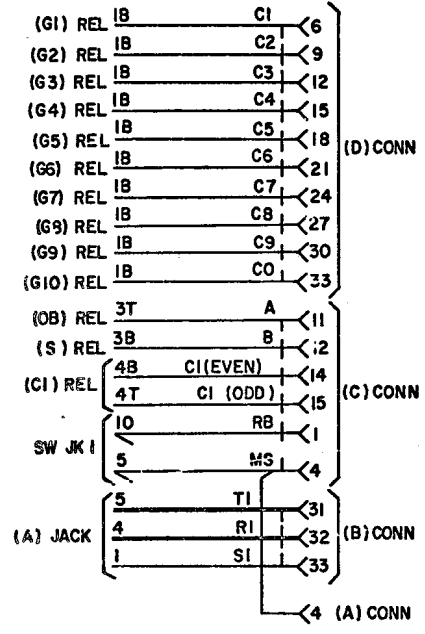
CAD 31

(FOR FIGS. 1, 2, 103, 110)
 MODULAR 701PK OR 711PK PBX UNIT
 2ND MODULE UP TO 28 FINDERS IN A
 GROUP START LEADS
 SEE NOTE 201



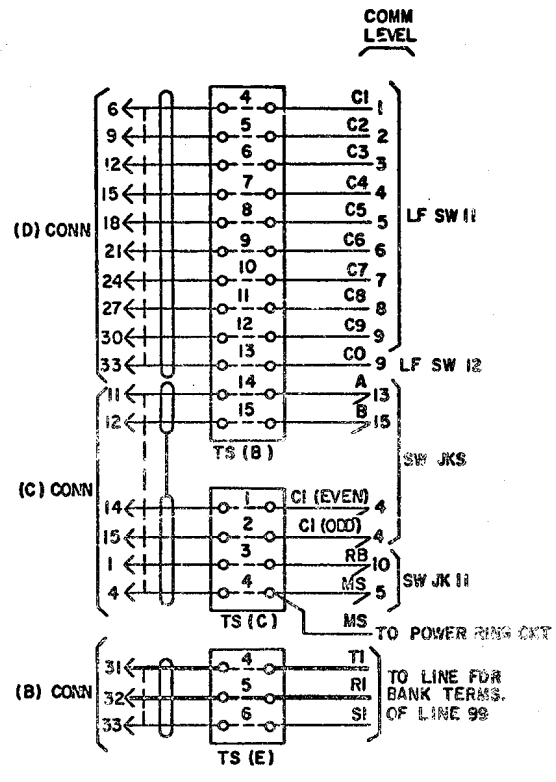
CAD 32

(FOR FIGS. 1, 4 & 9)
 MISCELLANEOUS LEADS TO
 FRAME JACKS
 1ST MODULE 701PK OR 711PK



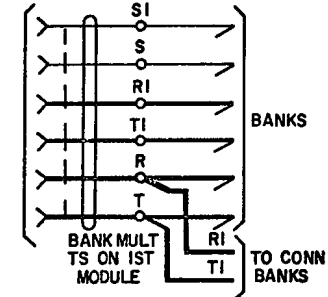
CAD 33

(FOR FIGS. 1, 4 & 10)
 MISCELLANEOUS LEADS
 TO FRAME PLUGS
 2ND MODULE 701PK OR 711PK



CAD 34

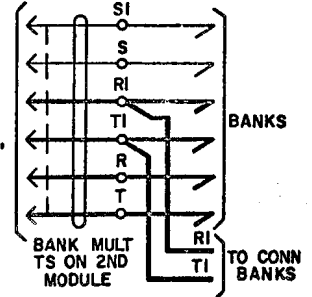
(FOR FIG. 5)
 LF BANKS
 1ST MODULE



AMPHENOL
 50 PT CONN
 KS-16690, L1
 SEE NOTES 205A,
 205B, 205C

CAD 35

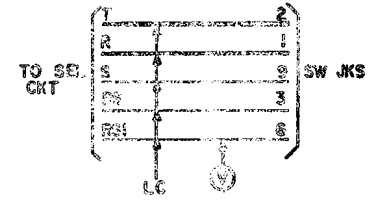
(FOR FIG. 5)
 LF BANKS
 2ND MODULE



AMPHENOL
 50 PT PLUG
 KS-16689, L3
 SEE NOTES 206A,
 206B, 206C

CAD 36

(FOR FIG. 1)
 LF JACKS
 1ST & 2ND MODULE



A
B
C
D
E
F
G
H

ISSUE
 IID NY
 12D HO
 13D
 WORN HW
 DRAWN A
 PRO-
 DUCED
 WITHOUT
 CHANGE
 12-31-62 LDJ
 ROZ
B
C
D
E
F
G
H

PBX SYSTEMS
 NO. 701A, 701B, 701PK, 702A, 711A, 711B OR 711PK
 LINE OR TRUNK FINDER CIRCUIT 2 SD-65901-01-11
 BELL TELEPHONE LABORATORIES INCORPORATED
 6S
 PRINTED IN U.S.A.

EQUIPMENT NOTES (CONT):

205C. CF-15074 CABLE E/W
4, KS-16690, LI CONNECTORS

Table with columns: CABLE (COLOR, PAIR), AMPHENOL 57 TYPE (50 POINT JACK), LEAD DESIG & LINE FINDER (TS PCHG). Rows include cables 51 through 75 for the Green Binder.

Table with columns: CABLE (COLOR, PAIR), AMPHENOL 57 TYPE (50 POINT JACK), LEAD DESIG & LINE FINDER (TS PCHG). Rows include cables 76 through 100 for the Brown Binder.

Table with columns: CABLE (COLOR, PAIR), AMPHENOL 57 TYPE (50 POINT JACK), LEAD DESIG & LINE FINDER (TS PCHG). Rows include cables 1 through 25 for the Blue Binder.

Table with columns: CABLE (COLOR, PAIR), AMPHENOL 57 TYPE (50 POINT JACK), LEAD DESIG & LINE FINDER (TS PCHG). Rows include cables 26 through 50 for the Orange Binder.

Table with columns: CABLE (COLOR, PAIR), AMPHENOL 57 TYPE (50 POINT JACK), LEAD DESIG & LINE FINDER (TS PCHG). Rows include cables 51 through 75 for the Green Binder.

Table with columns: CABLE (COLOR, PAIR), AMPHENOL 57 TYPE (50 POINT JACK), LEAD DESIG & LINE FINDER (TS PCHG). Rows include cables 76 through 100 for the Brown Binder.

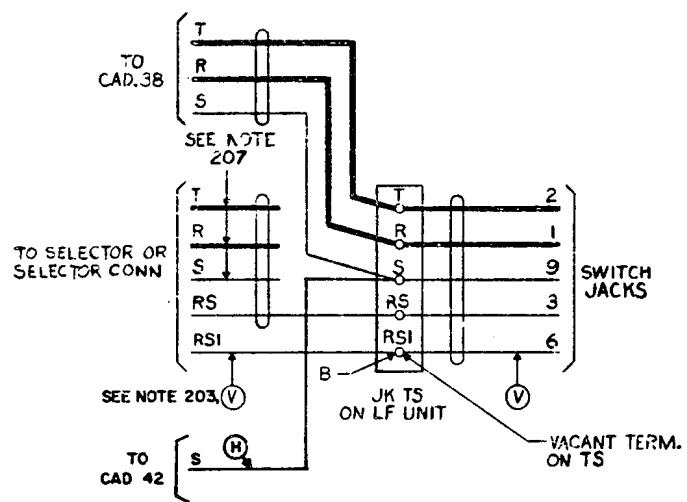
DRAWING ISSUE NO. 110 111 112 113

SD-65901-01-13

PBX SYSTEMS NO. 701A, 701B, 701PK, 702A, 711A, 711B OR 711PK LINE OR TRUNK FINDER CIRCUIT SD-65901-01-13 BELL TELEPHONE LABORATORIES INCORPORATED 65

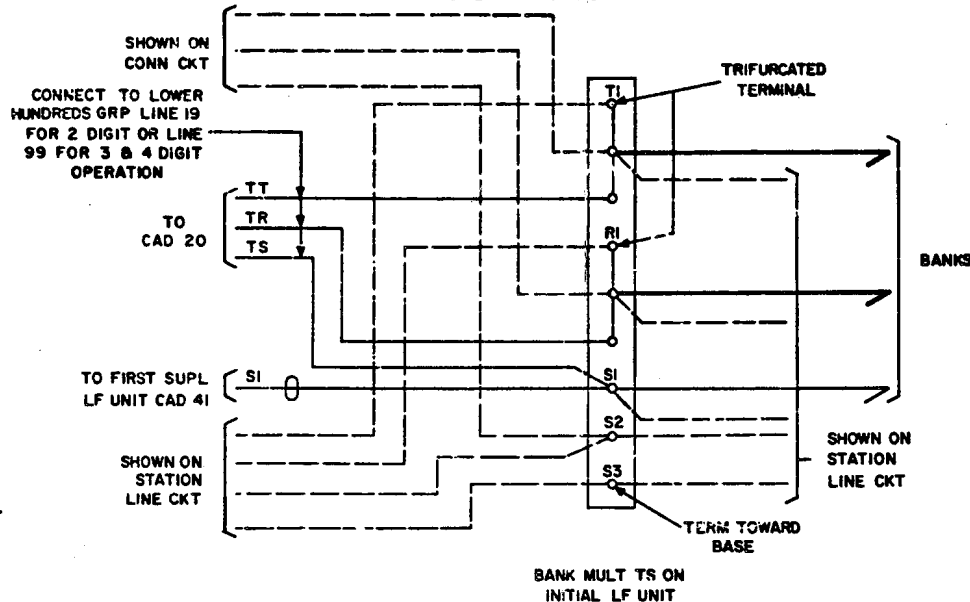
CAD. 37

(FOR FIG. 1)
OTHER THAN 701PK OR 711PK
LF UNIT JACKS
701A, 701B, 711A, & 711B PBX
TOUCH TONE APPLICATION



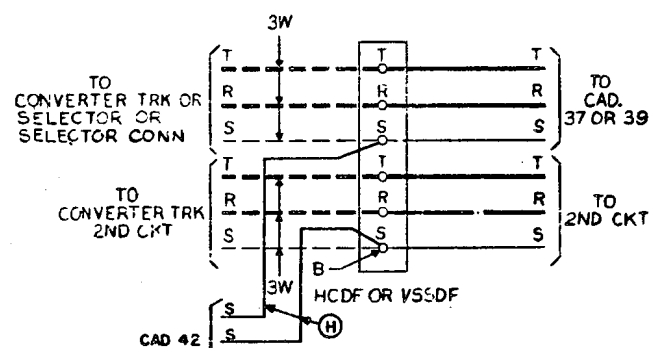
CAD 40

(FOR FIG. 5)
OTHER THAN 701PK OR 711PK
INITIAL LF UNIT BANKS



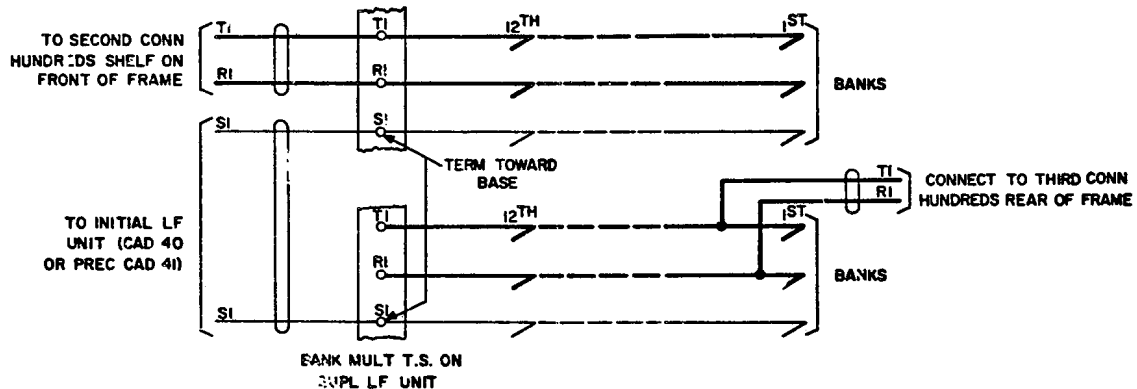
CAD. 38

(FOR FIG. 1)
CDF TERM. COMM GROUP
TOUCH TONE APPLICATION



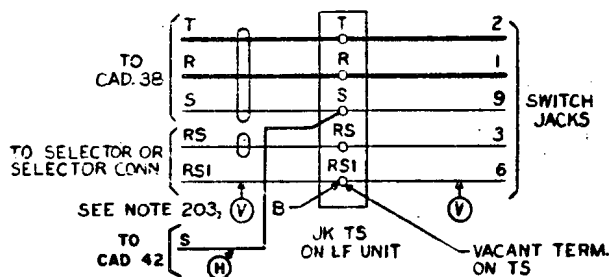
CAD 41

(FOR FIG. 5)
OTHER THAN 701PK OR 711PK
SUPL LF UNIT BANKS FOR
60 TO 200 LINES



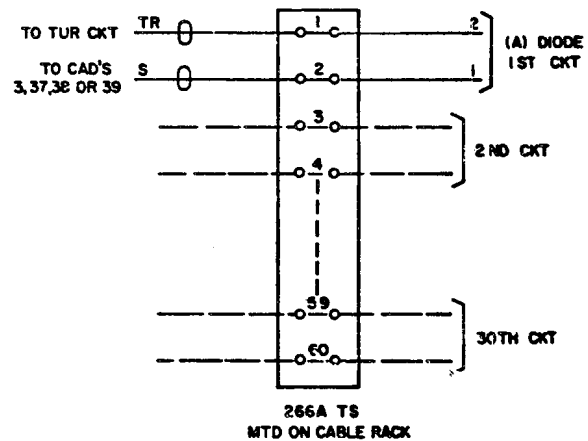
CAD. 39

(FOR FIG. 1)
OTHER THAN 701PK OR 711PK
701A, 701B, 711A, & 711B PBX
LF UNIT JACKS VIA CDF



Ⓜ CAD 42

SPECIAL



SD-65901-01-16

PBX SYSTEMS
NO. 701A, 701B, 701PK, 702A, 711A, 711B OR 711PK
LINE OR TRUNK FINDER CIRCUIT
SD-65901-01-16
BELL TELEPHONE LABORATORIES
INCORPORATED
6S